

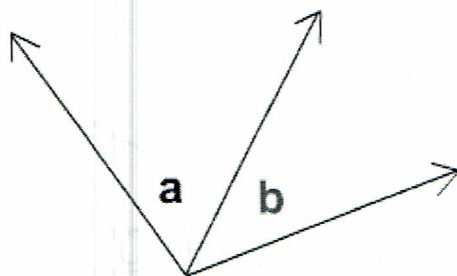
Name: KEY

Section: _____

Finding Angle Measures

VOCABULARY

ADJACENT ANGLES: angles that share a side and do NOT overlap



ANGLE MEASURES

RIGHT ANGLE = 90°

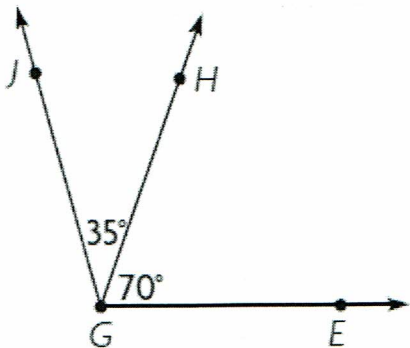
STRAIGHT ANGLE = 180°

FULL CIRCLE = 360°

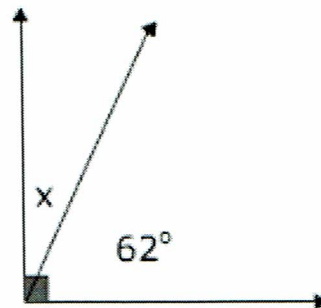
$\frac{3}{4}$ OF A CIRCLE = 270°

PRACTICE

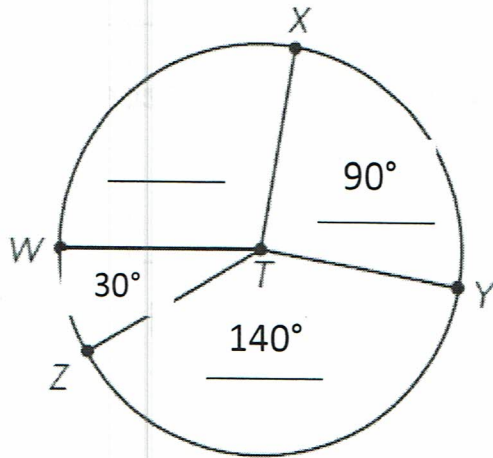
Find the measurement of the unknown angle by using the measures of angles you know.



$m\angle JGE =$ 105°



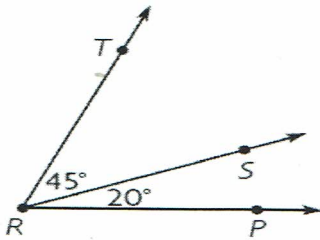
$m\angle x =$ 28°



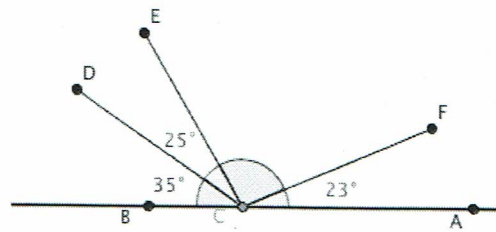
$$m\angle WTX = \underline{100^\circ}$$

NOW YOU TRY!

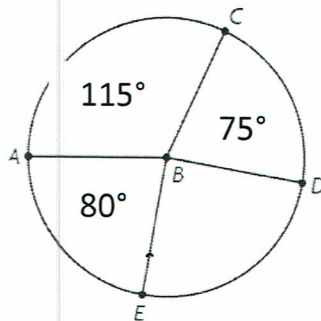
Find the measurement of the unknown angle by using the measures of angles you know.



$$m\angle TRP = \underline{65^\circ}$$



$$m\angle ECF = \underline{97^\circ}$$



$$m\angle DBE = \underline{90^\circ}$$